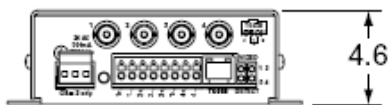
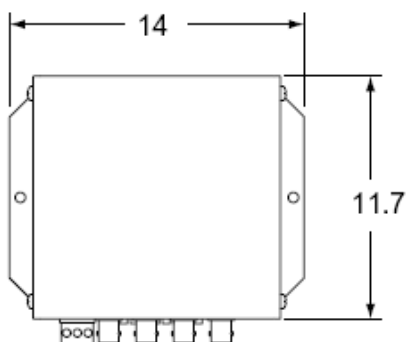




VH456

VH456 4 Port Active UTP Video Mini-Hub; up to 1000 m w/passive transceivers
up to 2200 m w/active transmitters



Description

4 port active video mini-hub with gain and loss control, built-in surge suppression, ground loop isolation and video detection. Systems operate with other NITEK UTP video equipment including video transceiver hubs, standard video balun transceivers, active transmitters or any twisted pair equipped camera.

These active video mini-hubs are multi-channel video receiver devices that provide a low cost means of receiving quality live video over category UTP cabling. The systems can also adapt to existing communication and computer network spare pairs or new cable installations. The VH451 can receive video up to 500 m when used with passive transmitters. The VH456 can be used on video runs up to 1000 m when used with passive transmitters or distances of up to 2200 m with the Nitek TT560 active transmitter. These hubs provide superior immunity from noise and interference, even when run in common raceways with AC.

Features

- Quality video over ordinary twisted pair cable
- Built-in surge suppression
- Built-in ground loop isolation
- Convenient access to DIP switches for accurate gain and loss control
- High immunity to noise and interference
- LED's to indicate video detection
- Compact design
- Video can be run in the same cable with telephone, computer signals and power

TECHNICAL SPECIFICATION

4 port Active UTP Video Mini-Hubs

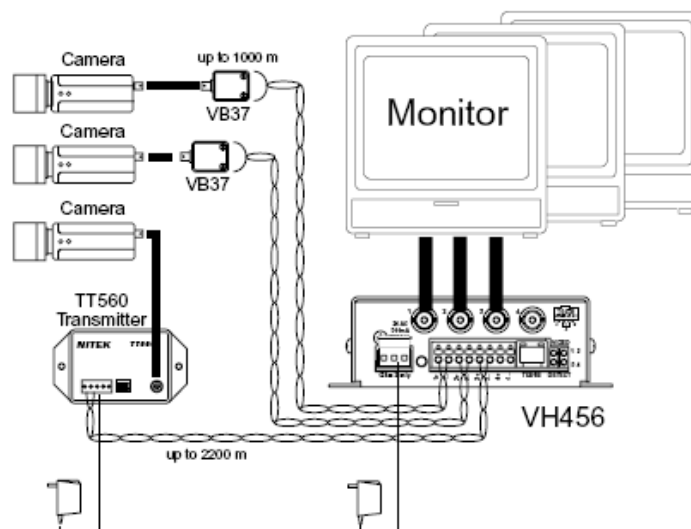
Size	14cmW x 4.6cmH x 11.7cmD
Power Requirements	24 VAC 300mA max. Class 2 (Wall transformer provided with unit)
Video Input	Balanced low voltage current loop
Video Output	1 Vpp composite video Monochrome or Color
Common Mode Rejection	>70dB
Video Format	RS170, NTSC, PAL, SECAM, CCIR (Color or B/W)
Twisted Pair Connection	Screw terminals providing balanced low voltage current loop
Wire Size	26 to 12 AWG Unshielded Twisted Pair
UTP Category	Unshielded Category Cabling
Operating Frequency	DC to 10 MHz
Recommended Transmission Distance	VH451 - Up to 500 meters w/passive baluns VH456 - Up to 1000 meters w/passive baluns - Up to 2200 meters w/active transmitters
Transient Immunity	Built-In
Temperature Range	-20 degrees C to +55 degrees C
Humidity Range	0 to 98% non-condensing

Ordering Information

PART	DESCRIPTION
VH451	4 Port Active UTP Receiver Mini Hub w/surge suppression; up to 500 m
VH456	4 Port Active UTP Receiver Mini-Hub w/surge suppression; up to 1000 m
<i>The following NITEK equipment works with the above:</i>	
VB37M	BNC Male Video Balun; up to 350 m
VB37F	BNC Female Video Balun; up to 350 m
VB39M	BNC Male Video Balun w/surge suppression; up to 350 m
VB39F	BNC Female Video Balun w/surge suppression; up to 350 m
VB41x4	4 Balun card w/surge suppression for Rack; up to 350 m
VH439	4 Port UTP Video Balun Mini-Hub w/surge suppression; up to 350 m
VH839	8 Port UTP Video Balun Hub w/surge suppression; up to 350 m
VH1639	16 Port UTP Video Balun Hub w/surge suppression; up to 350 m
TT560	Active Transmitter w/surge suppression; up to 2200 m

Wire and Cable Recommendations

Twisted Sender is recommended for use with **unshielded twisted pair** (UTP) wiring. The systems will operate over wire gauges from 26 AWG through 12 AWG but are optimized for 24 AWG. Category cabling may be used. Individually shielded pairs should be avoided as they drastically reduce the operating range of the systems. Multi-pair cable with an overall shield is acceptable. Video can be operated in the same communication cable coexistent with telephone, computer, control signals, power voltages and other video signals. While video may be routed through telephone punch down block terminals, any bridge-taps, also called T-taps and any resistive, capacitive or inductive devices **MUST BE** removed from the pair. For more specific information regarding wire types, gauges and proper installation techniques, please call +31(0)320 - 230005 for technical assistance. More information is also available on the CCTV System Design Guide Sheet.



Videor E. Hartig GmbH
Carl-Zeiss-Straße 8 · 63322 Rödermark, Germany
Tel. +49 (0) 60 74 / 888-0 · Fax +49 (0) 60 74 / 888-100

www.videor.com

Technical changes reserved.

04/2007