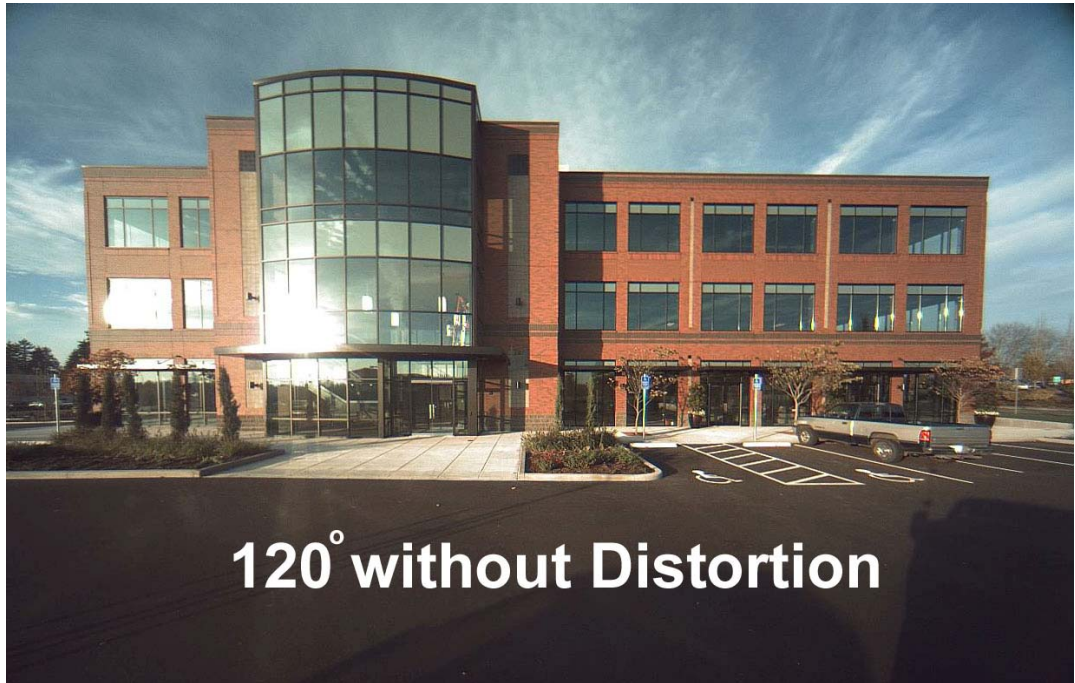




Theia

TECHNOLOGIES

SY110 Megapixel Lens Ultra-wide - Day/Night - No Distortion



- ◆ **Ultra wide** horizontal field of view up to 120° provides greater security
- ◆ Patented Linear Optical Technology™ enables **no barrel distortion** for maximum resolution
- ◆ IR corrected for **Day/Night** cameras
- ◆ Supports **multi megapixel resolution** cameras for demanding applications
- ◆ Near and far objects **continuously in focus** without lens adjustment
- ◆ Available with CS-mount and with auto or manual iris



Typical wide angle lens

Lenses


SY110A CS-mount DC-autoiris lens
SY110M CS-mount manual iris lens

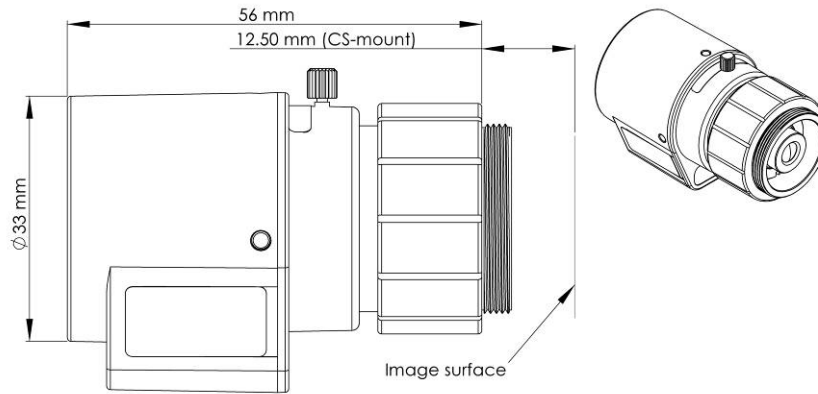


LINEAR OPTICAL TECHNOLOGY

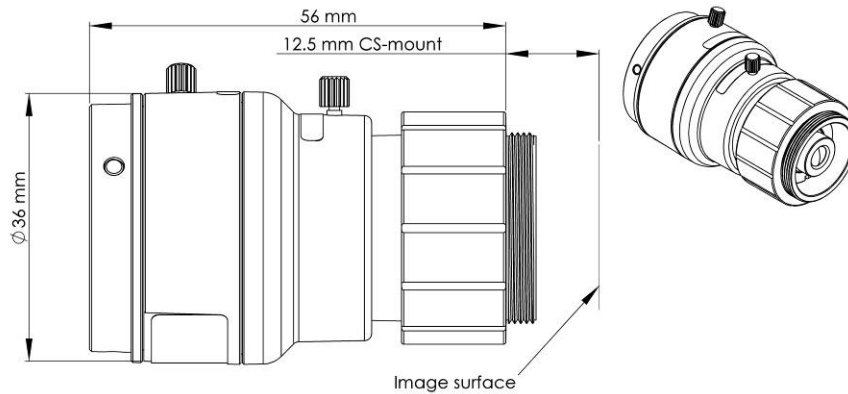
Sensor size	1/4"	1/3"	1/2.5" *
Field of view (H)	94°	110°	120°
Field of view (V)	78°	94°	104°
Field of view (D)	107°	122°	130°

*Some vignetting may occur using a 1/2.5" sensor depending on sensor mechanical tolerance.

Lenses	SY110A CS-mount DC-autoiris lens SY110M CS-mount manual iris lens	 LINEAR OPTICAL TECHNOLOGY
Focal length	1.67mm	
F/#	F/1.8 to closed	
Resolution	Multi-Megapixel	
Distortion (H)	<1% barrel (for 1/3" sensor)	
Pan-focus distance	10cm to ∞	



SY110A



SY110M

Theia Technologies, in cooperation with Nittoh Kogaku K.K., Suwa, Japan

For more information contact:

Theia Technologies
 info@TheiaTech.com
www.TheiaTech.com
 Phone: 503-570-3296